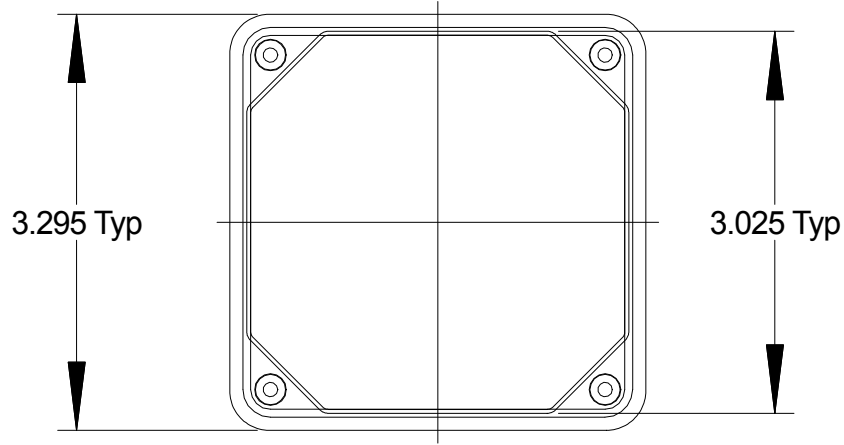
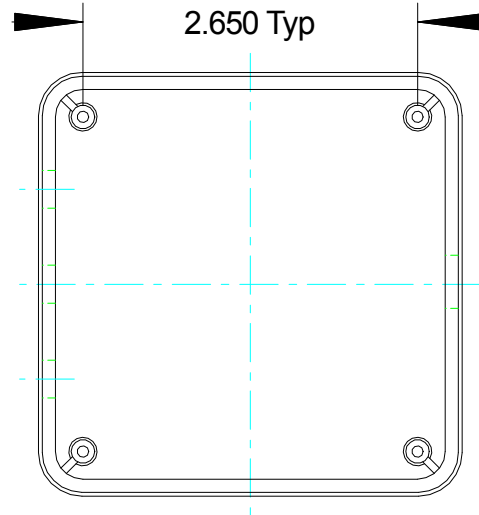
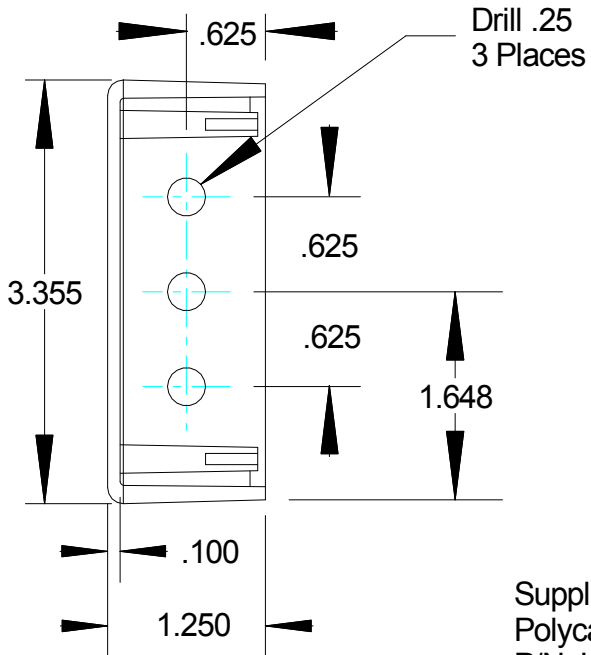
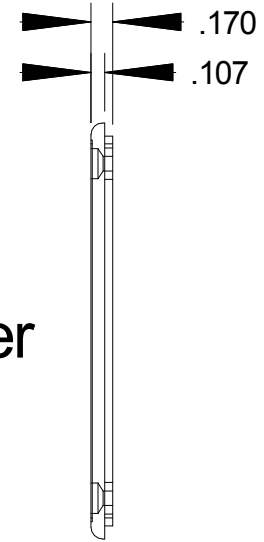


REV	DESCRIPTION	DATE	BY
A	Production Release	10/07/10	RDC
B	Added Holes, Corrected Dim	12/07/10	RDC

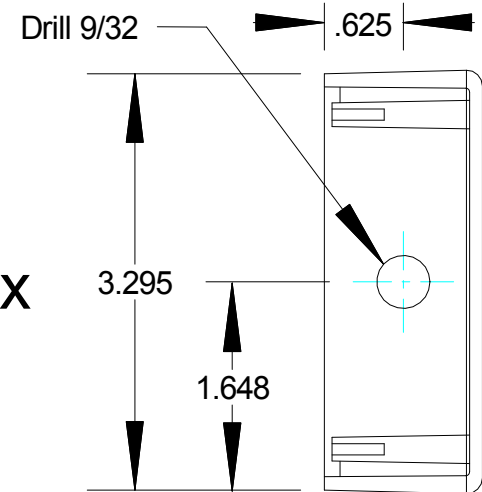
ID	PART NUMBER	DESCRIPTION	QTY
1			



Cover



Box



Supplier:
Polycase
P/N: LP41PXXR

CAPSTAN AG SYSTEMS, INC.
101 N. KANSAS AVE., TOPEKA, KS 66603

Box, Cab
Liquid Level

DATE	BY	SCALE	PAGE	SIZE
10/07/10	RDC	NONE	1 OF 1	A

716008-120