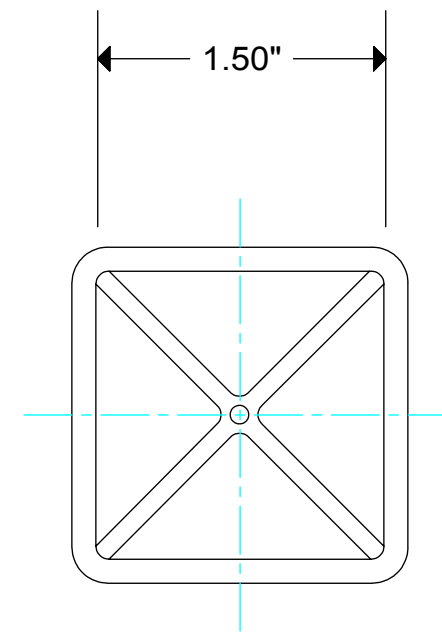
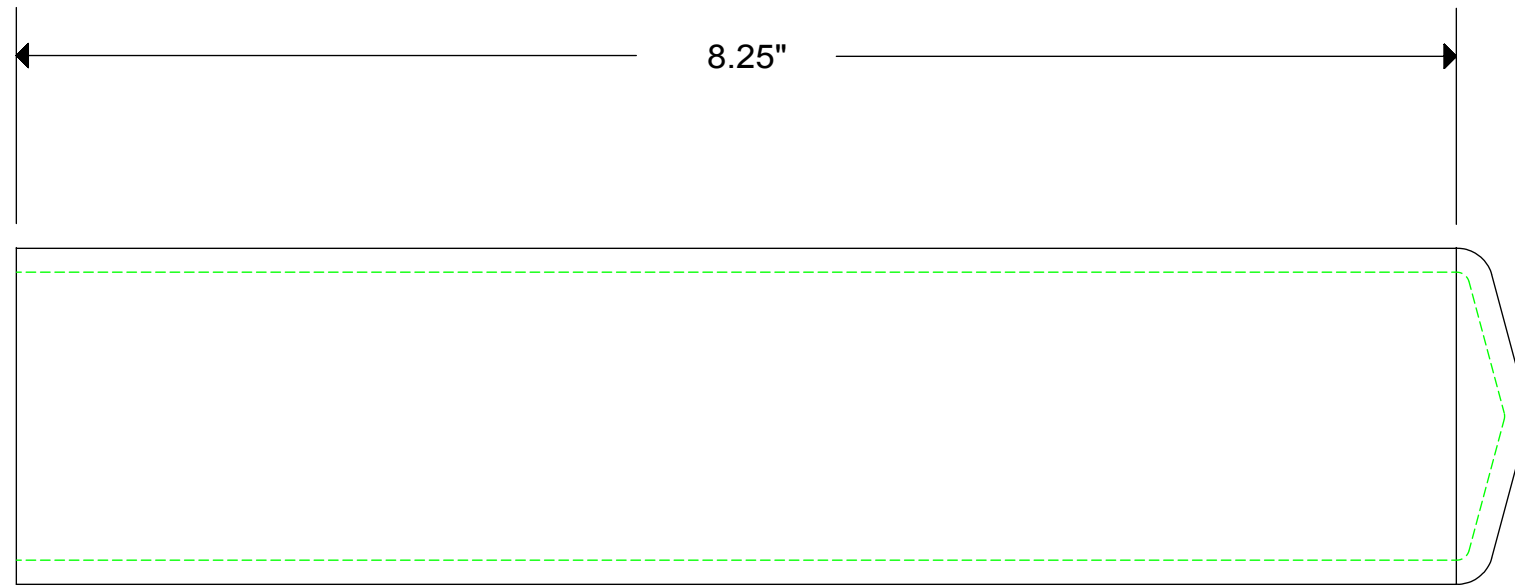


PROPRIETARY AND CONFIDENTIAL


THE INFORMATION CONTAINED IN THIS DRAWING IS THE SOLE PROPERTY OF CAPSTAN AG INC. ANY REPRODUCTION IN PART OR AS A WHOLE WITHOUT WRITTEN PERMISSION OF CAPSTAN AG INC IS PROHIBITED

Rev	ECR	Description	Date	By	App
A	1066	Production Release	11/12/15	BLS	



Notes:

- 1. Black Material.
- 2. 0.125" Thick, +/- 0.020

			CAPSTAN AG SYSTEMS, INC. 4225 S.W. Kirklawn Ave., Topeka, KS 66609		
APPLICATION SYSTEMS FOR PROFESSIONALS			TITLE: Tube, Black, Potting PinPoint II		
Drawn	Name BLS	Date 11/12/15	SIZE B		REV A
Checked			DWG No: 716008-110		
QA APP			SCALE: None		
					SHEET 1 of 1