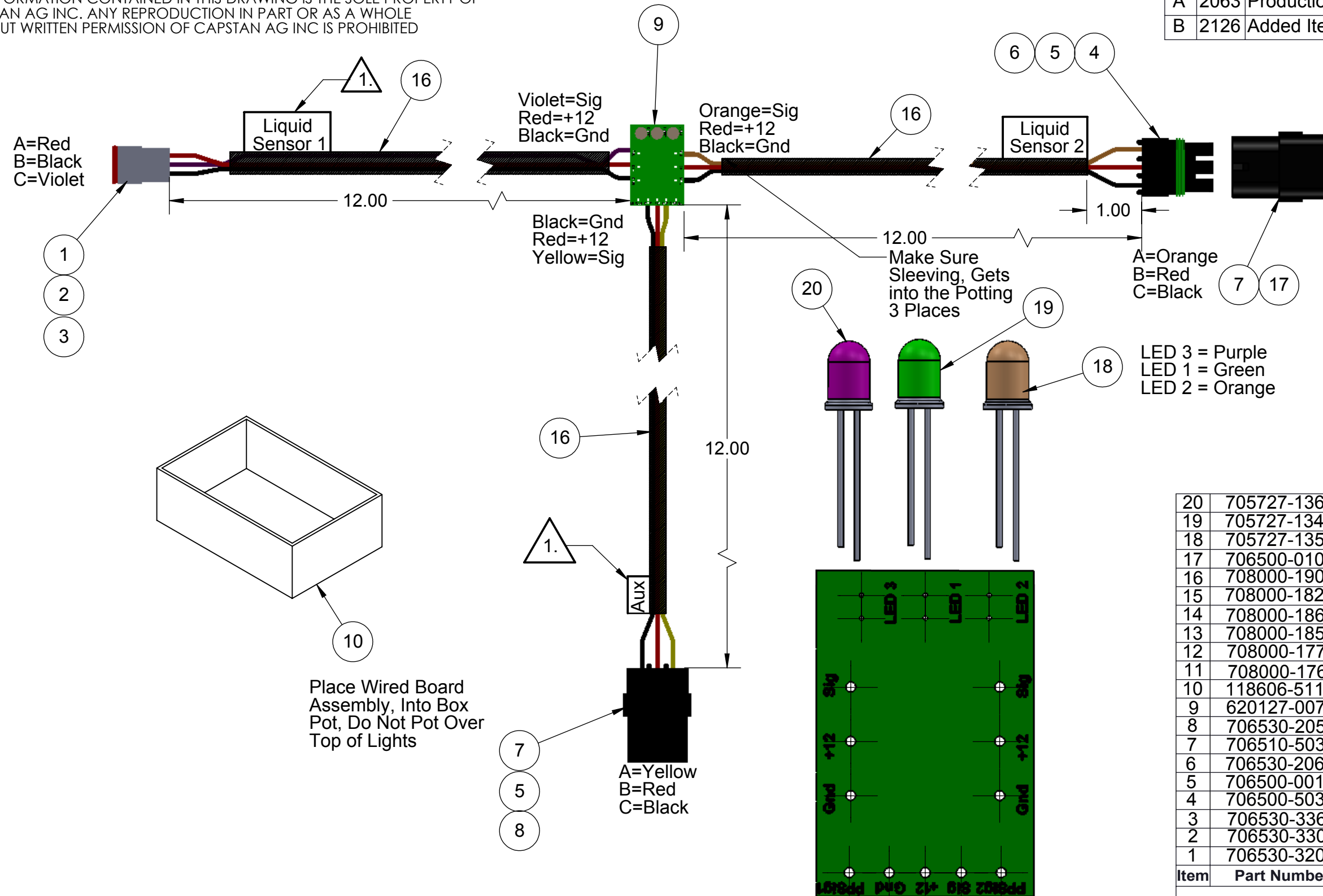


PROPRIETARY AND CONFIDENTIAL

THE INFORMATION CONTAINED IN THIS DRAWING IS THE SOLE PROPERTY OF CAPSTAN AG INC. ANY REPRODUCTION IN PART OR AS A WHOLE WITHOUT WRITTEN PERMISSION OF CAPSTAN AG INC IS PROHIBITED

Rev	ECR	Description	Date	By	App
A	2063	Production Release	10/10/16	BLS	
B	2126	Added Items 18, 19, 20, LED's	2/10/17	BLS	



Place Wired Board Assembly, Into Box Pot, Do Not Pot Over Top of Lights

LED 3 = Purple
LED 1 = Green
LED 2 = Orange

Item	Part Number	Description	Qty
20	705727-136	Light, LED, Purple	1
19	705727-134	Light, LED, Green	1
18	705727-135	Light, LED, Orange	1
17	706500-010	Plug, Cavity, Green	3
16	708000-190	Sleeving, Expandable 1/4"	33
15	708000-182	Wire, 18Ga. Yellow	12
14	708000-186	Wire, 18Ga. Orange	12
13	708000-185	Wire, 18Ga. Violet	12
12	708000-177	Wire, 18Ga. Black	36
11	708000-176	Wire, 18Ga. Red	36
10	118606-511	Box, Circuit Board, 1" x 1-3/4	1
9	620127-007	Circuit Board, XLS Sensor	1
8	706530-205	Terminal, Male, 16-18Ga.	3
7	706510-503	Connector, Shroud, 3 Pin	2
6	706530-206	Terminal, Female, 16-18Ga.	3
5	706500-001	Seal, Cable, Green	6
4	706500-503	Connector, Tower, 3 Pin	1
3	706530-336	Terminal, Female, 16-18Ga.	3
2	706530-330	Wedge, Plug, 3 Pin	1
1	706530-320	Connector, Plug, 3 Pin	1

Notes:
1. label as Required.



Drawn	Name	Date	TITLE:	Harness, Liquid Level Sensor N-Ject	
Checked	BLS	10/10/16			
QA APP			SIZE	DWG No:	REV
			B	620202-022	B
			SCALE:	None	SHEET 1 of 1