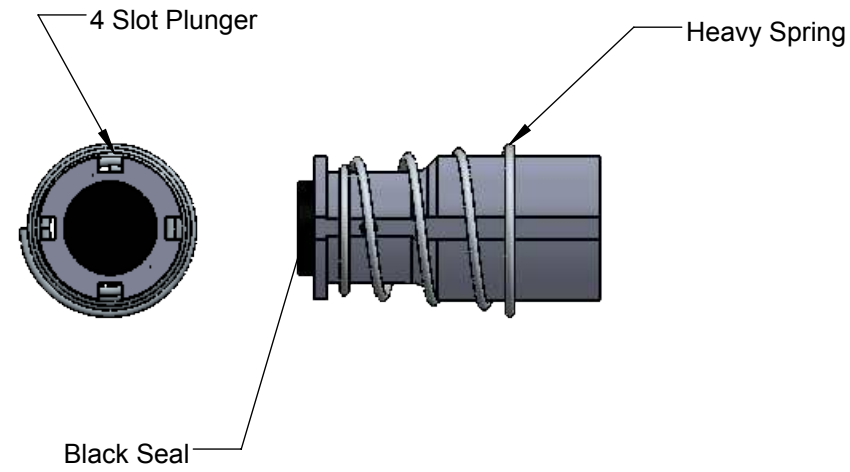
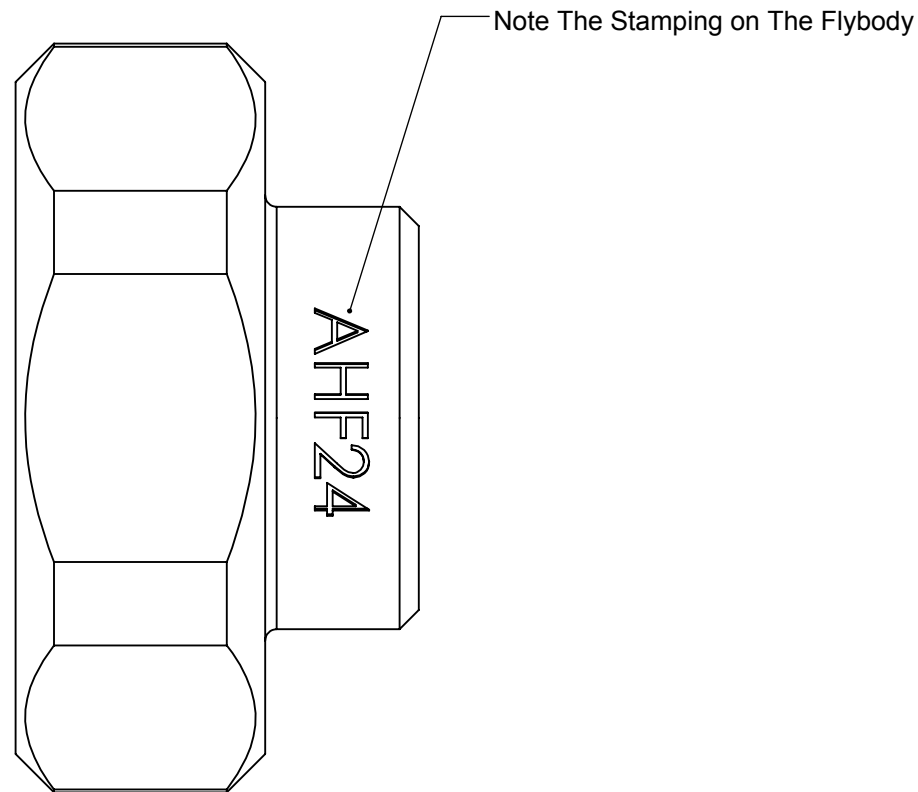
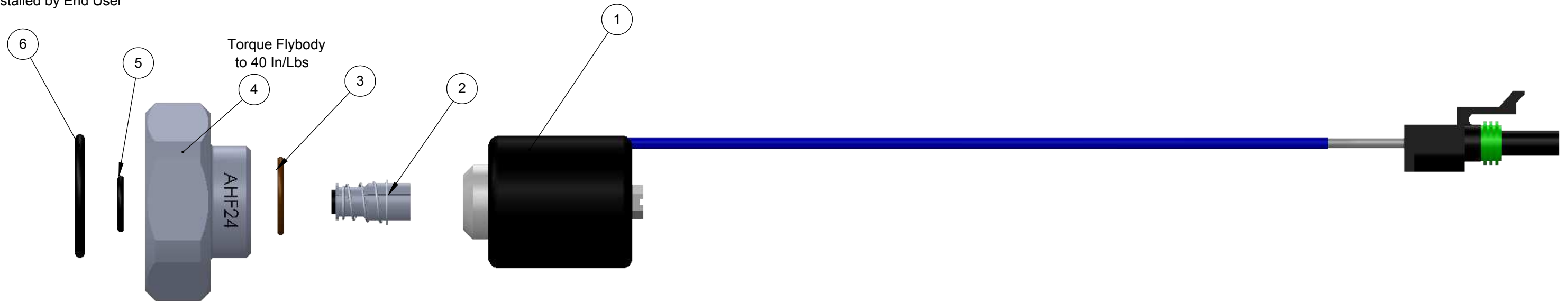


**PROPRIETARY AND CONFIDENTIAL**

THE INFORMATION CONTAINED IN THIS DRAWING IS THE SOLE PROPERTY OF CAPSTAN AG INC. ANY REPRODUCTION IN PART OR AS A WHOLE WITHOUT WRITTEN PERMISSION OF CAPSTAN AG INC IS PROHIBITED

REV	ECR	DESCRIPTION	DATE	BY
A	2322	Production Release	6/11/18	BLS

Not Assembled by Production  
Installed by End User



6	715022-212	O-Ring, Metric, - Black	1
5	715022-211	O-Ring - Black	1
4	116182-202	Flybody, Arag, High Flow, AHF24	1
3	715022-204	O-Ring - Brown	1
2	716009-113	Plunger Assy, Heavy Spring, 4 Slot	1
1	625147-011	Coil Assembly, 12 W	1
Item	Part Number	Description	Qty



Name	Date	TITLE:
Drawn BLS	6/11/18	Valve Assembly, Flybody, Arag, High Flow AHF24, 12W, 4 Slot, Black, Heavy Spring
Checked		
QA APP		
SIZE B	DWG No: 541012-24AHF	REV A
SCALE: None		SHEET 1 of 1