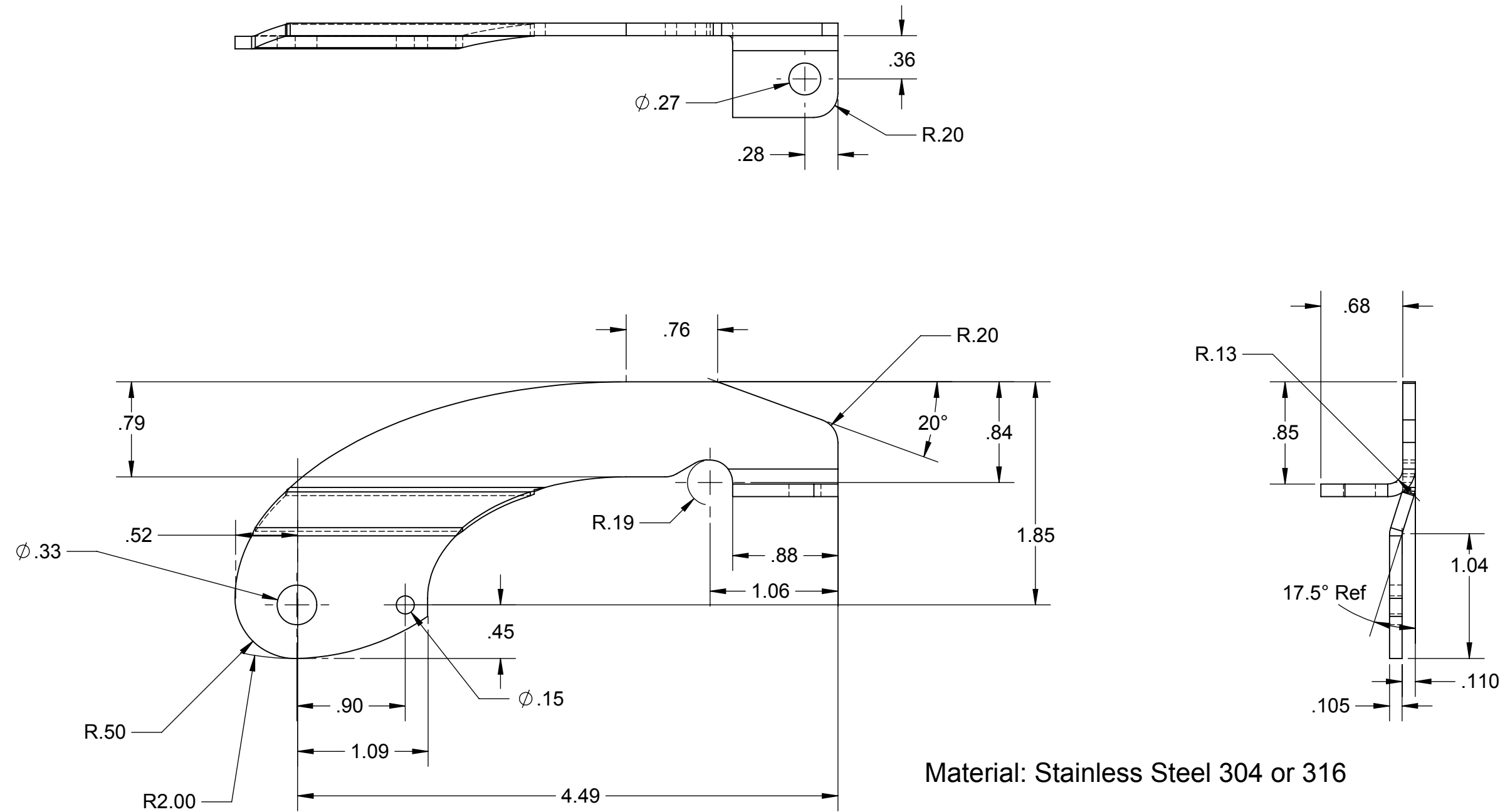



PROPRIETARY AND CONFIDENTIAL

THE INFORMATION CONTAINED IN THIS DRAWING IS THE SOLE PROPERTY OF CAPSTAN AG INC. ANY REPRODUCTION IN PART OR AS A WHOLE WITHOUT WRITTEN PERMISSION OF CAPSTAN AG INC IS PROHIBITED

Rev	ECR	Description	Date	By
B	2418	Revised & Redrawn	3/11/19	BLS



Material: Stainless Steel 304 or 316

UNLESS OTHERWISE SPECIFIED:					
DIMENSIONS ARE IN INCHES					
TOLERANCES:		Drawn	Name	Date	TITLE: Boom Hanger Tab Front Mount Bottom Right
FRACTIONAL ±		Checked			
ANGULAR: MACH ± BEND ±		QA APP			
TWO PLACE DECIMAL ±		SIZE		DWG No:	REV
THREE PLACE DECIMAL ±		B		320100-008	B
INTERPRET GEOMETRIC TOLERANCING PER:		SCALE: None		SHEET 1 of 1	
MATERIAL		DO NOT SCALE DRAWING			
FINISH					