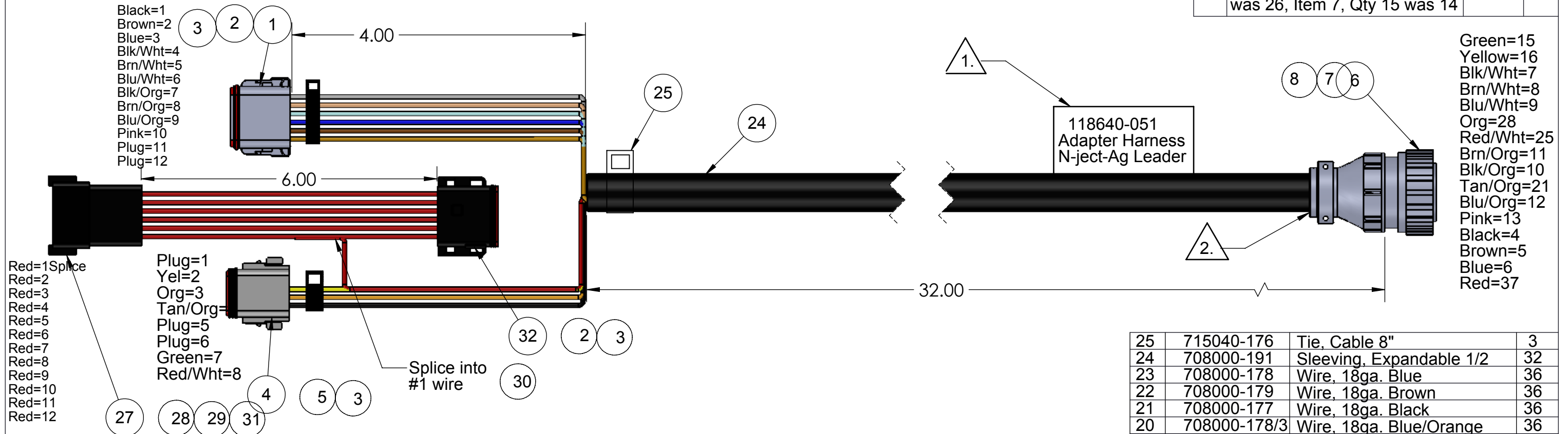


**PROPRIETARY AND CONFIDENTIAL**

THE INFORMATION CONTAINED IN THIS DRAWING IS THE SOLE PROPERTY OF CAPSTAN AG INC. ANY REPRODUCTION IN PART OR AS A WHOLE WITHOUT WRITTEN PERMISSION OF CAPSTAN AG INC IS PROHIBITED

REV	DESCRIPTION	DATE	BY
1	Preliminary Release	11/20/13	BLS
2	Added Item 33, Item 3, Qty 27 was 26, Item 7, Qty 15 was 14	3/25/14	BLS



- Black=1
- Brown=2
- Blue=3
- Blk/Wht=4
- Brn/Wht=5
- Blu/Wht=6
- Blk/Org=7
- Brn/Org=8
- Blu/Org=9
- Pink=10
- Plug=11
- Plug=12

- Green=15
- Yellow=16
- Blk/Wht=7
- Brn/Wht=8
- Blu/Wht=9
- Org=28
- Red/Wht=25
- Brn/Org=11
- Blk/Org=10
- Tan/Org=21
- Blu/Org=12
- Pink=13
- Black=4
- Brown=5
- Blue=6
- Red=37

- Red=1 Splice
- Red=2
- Red=3
- Red=4
- Red=5
- Red=6
- Red=7
- Red=8
- Red=9
- Red=10
- Red=11
- Red=12

- Plug=1
- Yel=2
- Org=3
- Tan/Org=4
- Plug=5
- Plug=6
- Green=7
- Red/Wht=8

Item	Part Number	Description	Qty
25	715040-176	Tie, Cable 8"	3
24	708000-191	Sleeving, Expandable 1/2	32
23	708000-178	Wire, 18ga. Blue	36
22	708000-179	Wire, 18ga. Brown	36
21	708000-177	Wire, 18ga. Black	36
20	708000-178/3	Wire, 18ga. Blue/Orange	36
19	708000-181/3	Wire, 18ga. Tan/Orange	36
18	708000-177/3	Wire, 18ga. Black/Orange	36
17	708000-179/3	Wire, 18ga. Brown/Orange	36
16	708000-176/9	Wire, 18ga. Red/White	36
15	708000-186	Wire, 18ga. Orange	36
14	708000-178/9	Wire, 18ga. Blue/White	36
13	708000-179/9	Wire, 18ga. Brown/White	36
12	708000-177/9	Wire, 18ga. Black/White	36
11	708000-182	Wire, 18ga. Yellow	36
10	708000-174	Wire, 18ga. Green	36
9	706530-346	Plug, Cavity, White	6
8	706530-243	Cable, Clamp Shell 23	1
7	706530-263	Socket, Crimp, 16-18ga.	15
6	706530-261	Plug, Amp, 37 Pin	1
5	706530-318	Wedge, Plug, 8 pin	1
4	706530-308	Plug, 8 Pin	1
3	706530-336	Terminal, Female, 16-18ga.	27
2	706530-322	Wedge, Plug, 12 pin	2
1	706530-312	Plug, 12 pin	1

33	708000-183	Wire, 18ga. Pink	36
32	706530-290	Plug, 12 pin Plug, DT	1
31	706530-356	Plug, 12 pin Plug, DT	1
30	708000-159	Shrink Tubing, 3/16 x 1.25	1
29	706530-335	Terminal, Male, 16-18ga.	12
28	706530-321	Wedge, Receptical 12 pin	1
27	706530-291	Receptical, 12 pin	1
26	708000-176	Wire 18ga. Red	111
Item	Part Number	Description	Qty

**CAPSTAN AG SYSTEMS, INC.**  
 101 N. KANSAS AVE., TOPEKA, KS 66603

Drawn	Name: BLS	Date: 11/20/13	TITLE: Adapter Harness N-Ject-Ag Leader
Checked			
QA APP			

SIZE: B	DWG No: 118640-051	REV: A
SCALE: None		SHEET 1 of 1

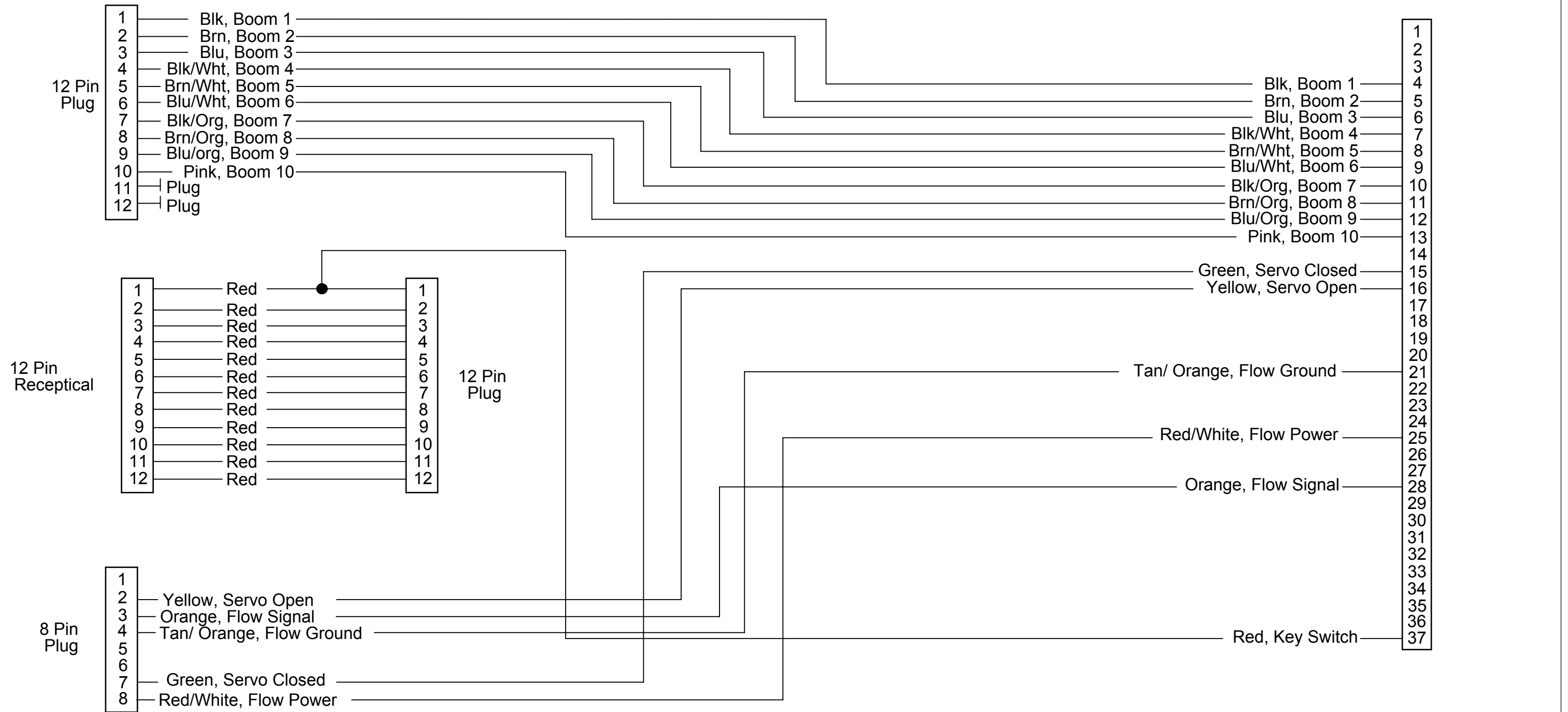
Notes:

- 1. Label as required.
- 2. Fill with silicone after inspection and testing.

**PROPRIETARY AND CONFIDENTIAL**

THE INFORMATION CONTAINED IN THIS DRAWING IS THE SOLE PROPERTY OF CAPSTAN AG INC. ANY REPRODUCTION IN PART OR AS A WHOLE WITHOUT WRITTEN PERMISSION OF CAPSTAN AG INC IS PROHIBITED

REV	ECR	DESCRIPTION	DATE	BY
A				



		<b>CAPSTAN AG SYSTEMS, INC.</b> 101 N. KANSAS AVE., TOPEKA, KS 66603	
Drawn	Name	Date	TITLE:
Checked			
QA APP			
SIZE		DWG No:	REV
B			
SCALE: None			SHEET 1 of 1