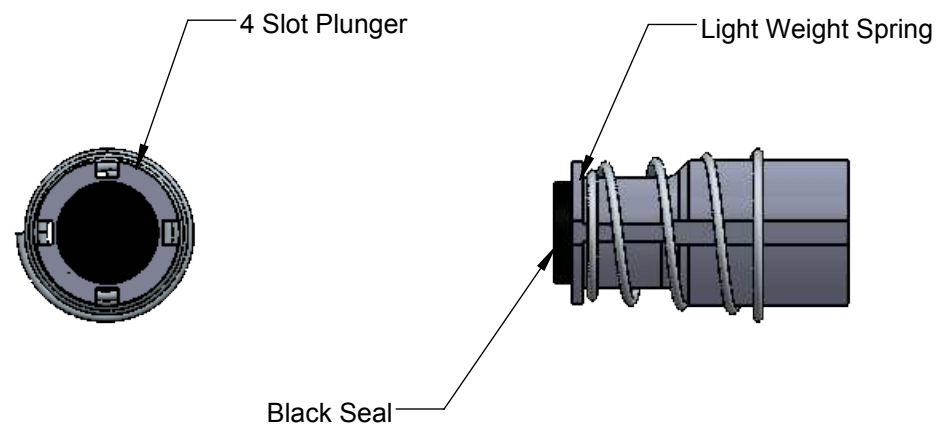
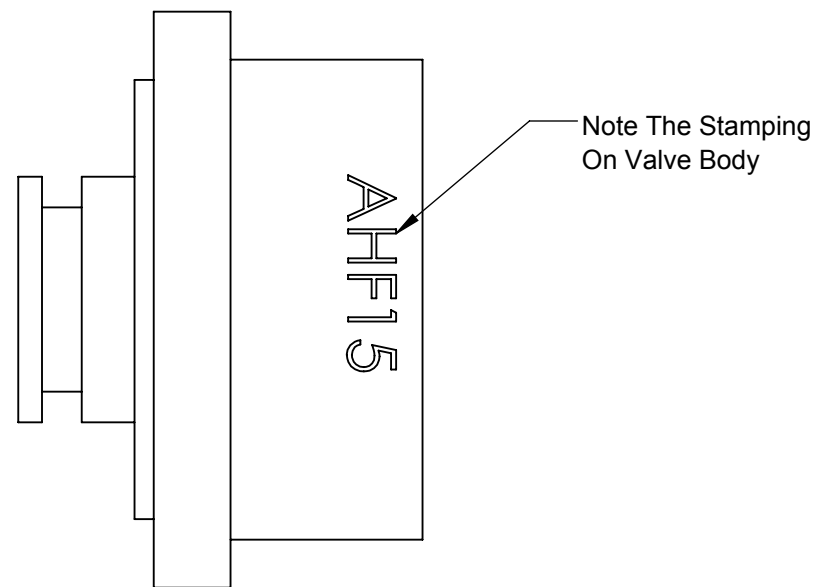
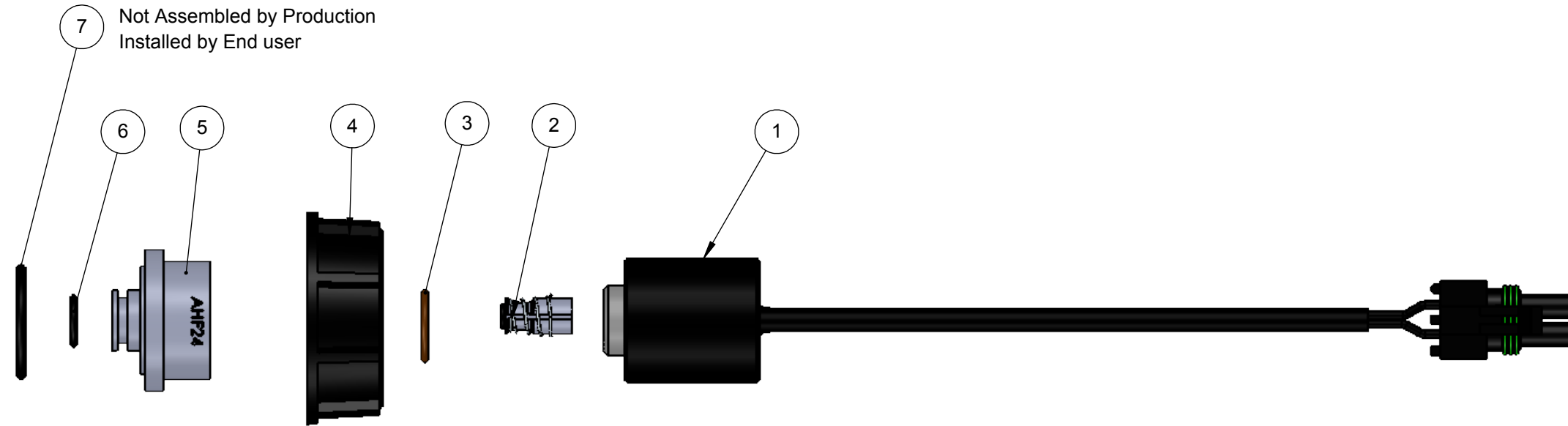


PROPRIETARY AND CONFIDENTIAL

THE INFORMATION CONTAINED IN THIS DRAWING IS THE SOLE PROPERTY OF CAPSTAN AG INC. ANY REPRODUCTION IN PART OR AS A WHOLE WITHOUT WRITTEN PERMISSION OF CAPSTAN AG INC IS PROHIBITED

| REV | ECR | DESCRIPTION | DATE | BY |
|-----|------|--------------------|---------|-----|
| A | 2222 | Production Release | 9/15/17 | BLS |



| 7 | 715022-215 | O-Ring - Black | 1 |
|------|-------------|--------------------------------|-----|
| 6 | 715022-211 | O-Ring - Black | 1 |
| 5 | 116182-211 | Valve Body, AHF15 | 1 |
| 4 | 717101-306 | Fly Nut, Arag, High Flow | 1 |
| 3 | 715022-204 | O-Ring - Brown | 1 |
| 2 | 716009-114 | Plunger Assy, Standard, 4 Slot | 1 |
| 1 | 116189-111 | Coil Assembly, 7 W | 1 |
| Item | Part Number | Description | Qty |



| | | | |
|-------------|------------|--------------|--------------------------------------------------------------|
| Drawn | Name | Date | TITLE: |
| Checked | BLS | 9/15/17 | Valve Assembly, AHF15, 7 W 4 Slot, Black, Standard Spring |
| QA APP | | | |
| SIZE | DWG No: | REV | |
| B | 116290-210 | A | |
| SCALE: None | | SHEET 1 of 1 | |