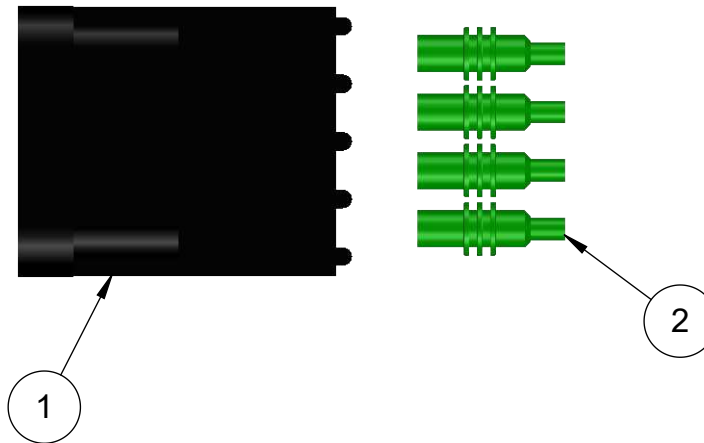


PROPRIETARY AND CONFIDENTIAL

THE INFORMATION CONTAINED IN THIS DRAWING IS THE SOLE PROPERTY OF CAPSTAN AG INC. ANY REPRODUCTION IN PART OR AS A WHOLE WITHOUT WRITTEN PERMISSION OF CAPSTAN AG INC IS PROHIBITED

REV	ECR	DESCRIPTION	DATE	BY
A		Production Release	12/4/14	BLS



2	706500-010	Plug, Cavity, Green	4
1	706510-504	4 pin Shroud	1
Item	Part Number	Description	Qty



CAPSTAN AG SYSTEMS, INC.
 4225 Kirklawn Ave. Topeka, KS 66609

Drawn	Name BLS	Date 12/4/14	TITLE: Cap, 4 Pin
Checked			
QA APP			
	SIZE A	DWG No: 116200-081	REV A
SCALE: None			